

City Walk Jeddah Season, Saudi Arabia



HEIGHT

21 m
68.1 ft



FOOTPRINT

31 x 15.5 m
101 x 50 ft



INSTANT CAPACITY

20 adults

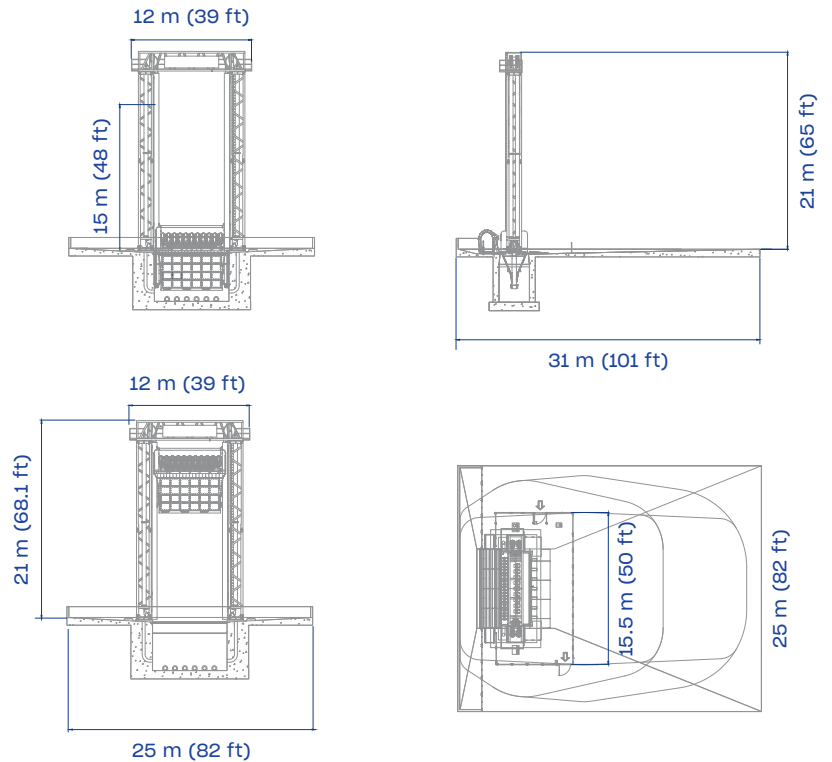


SEE IT IN ACTION!

Big Wavez

Ride, splash, repeat: Big WaveZ delivers adrenaline-pumping waves.

- High capacity in a compact footprint: the ride offers an exhilarating ride for a large number of passengers while requiring minimal space.
- Active guest engagement: engage not only riders but all park guests ready to watch the show.
- Flexibility and customization: the rides adapts to varying conditions. Customize the experience from cycle to cycle, directing the wave away from the ride or over riders, providing the right option for hot or cold days.



TECHNICAL DATA

SPECIFICS

Height	21 m (68.1 ft)
Footprint	31 x 15.5 m (101 x 50 ft)
Restraint type	monitored over the shoulders
Height restriction	120 cm (48 in) unaccompanied, 105 cm (42 in) minimum, max 185 cm only front seats
Theoretical hourly capacity	480 pph
Load unload time	90 s
Ride time	60 s
Instant capacity	20 adults
Power requirement	190 kW



**BEST NEW PRODUCT
FAMILY RIDE ATTRACTION**



**BEST NEW PRODUCT
FOR THEME PARKS**

Discover more on [zamperla.com](https://www.zamperla.com)
Follow us on @zamperlarides and @zamperlacoasters

