

PNE Playland, Vancouver



HEIGHT

6 m
20 ft



FOOTPRINT

ø 22.4 m
ø 73.5 ft



INSTANT CAPACITY

24 passengers

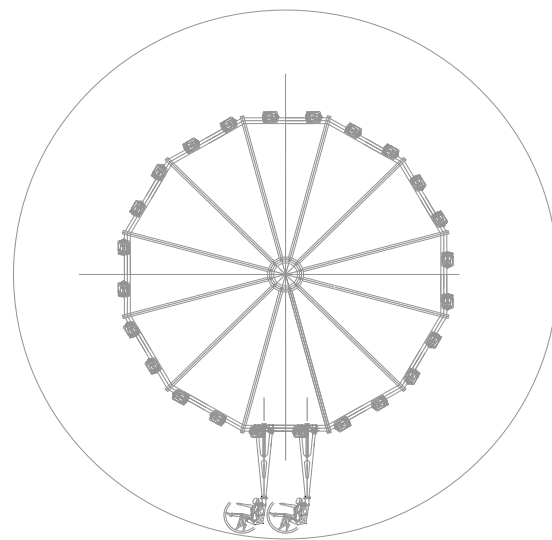
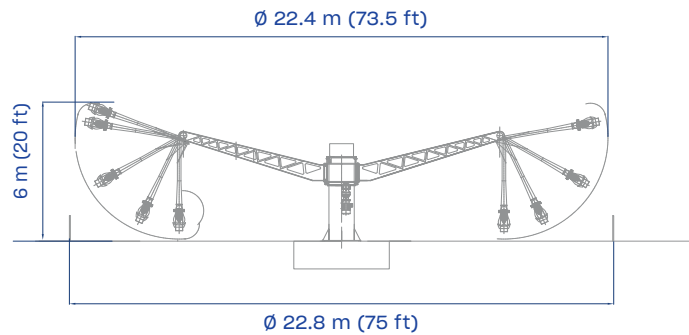


SEE IT IN ACTION!

Gryphon

An adrenaline spinning experience!

- One of the few rides in the market offering the solo rider experience.
- Dynamic action sequences, including eye-catching waving and seats crossing action.
- Riders continually perceive a frightening mismatch with the front seat.
- A thrilling combination of gravity and accelerations.
- A spectacular lights package to enhance the color game of the ride.



TECHNICAL DATA

SPECIFICS

Height	6 (20 ft)
Footprint	Ø 22.4 (73.5 ft)
Rotation speed	13 rpm
Restraint type	controlled over the shoulder
Height restriction	120 cm (48 in) minimum
Theoretical hourly capacity	480 pph
Load unload time	60 s
Ride time	120 s
Instant capacity	24 passengers
Power requirement	140 kW

Discover more on zamperla.com
 Follow us on [@zamperlarides](https://www.instagram.com/zamperlarides) and
[@zamperlacoasters](https://www.instagram.com/zamperlacoasters)

